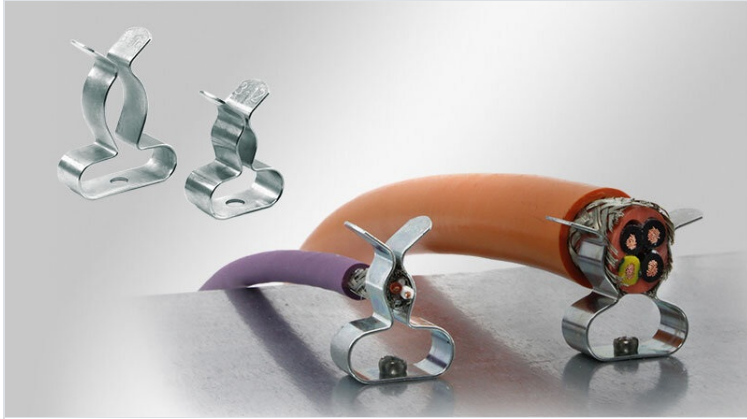


EMC shield clamps, single

for direct mounting via rivets



EMC shield clamps are used, where the shield of cables must be connected to the earth potential. They are easy to use and effective in earthing single cable shields.

The EMC cable clamps offer a large contact area to the cable shield. In comparison to conventional shielding brackets an up to 50% higher contact area can be achieved when using icotek EMC shield clamps. The specified clamping range can be exceeded up to 10%.

Due to its special design the clamping ranges of the MSKL are very large while the dimensions are comparatively small. (Example: MSKL 3-12, assembled with a 12 mm cable shield: width 26.25 mm).

The shield clamps can be easily attached via rivet.

Specifications

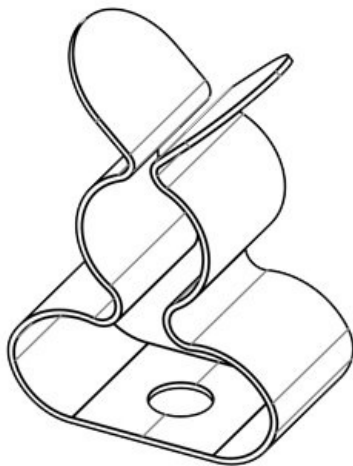
Material	Shield clamp: Spring steel, zinc plated
Properties	vibration proof
Mounting options	Riveting

Advantages & benefits

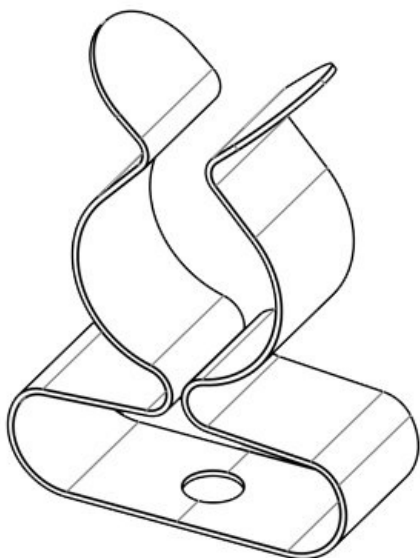
- Large contact area
- Shield contact and strain relief separated
- The spring design requires no adjustments and will permanently maintain contact to the cable shield
- Space-saving design, even when fully assembled
- MSKL: Large clamping areas, therefore less product sizes needed to cover a large cable diameter range
- Shock and vibration resistant, maintenance free

Product types & sizes

MSKL 3-12

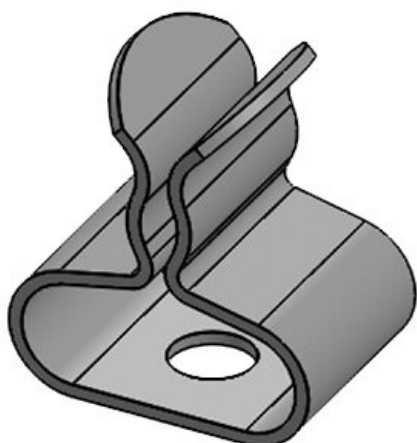


Part No.	37600	Max. shield diam.	12 mm
EAN	4251269316	Min. shield diam.	3 mm
Package quantity	50	Length	8 mm
No. of shield clamps	1	Width	15 mm
Shield clamp type	MSKL	Height	20,5 mm
For max. no. of cables	1		
Shield diameter	3 - 12 mm		



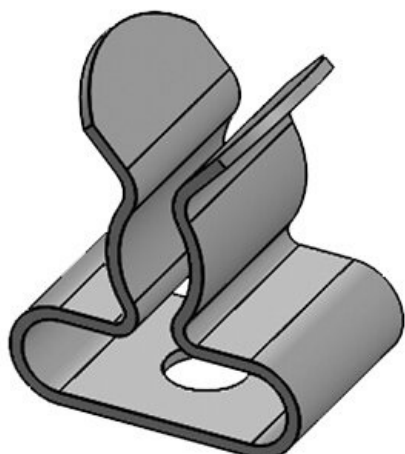
Part No.	37602	Max. shield diam.	18 mm
EAN	4251269316	Min. shield diam.	8 mm
Package quantity	50	Length	8 mm
No. of shield clamps	1	Width	20 mm
Shield clamp type	MSKL	Height	27 mm
For max. no. of cables	1		
Shield diameter	8 - 18 mm		

SKL 1.5-3



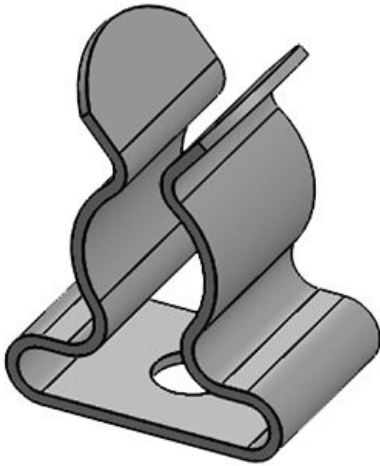
Part No.	36200	Max. shield diam.	3 mm
EAN	4251269302	Min. shield diam.	1,5 mm
Package quantity	50	Length	8 mm
No. of shield clamps	1	Width	11,8 mm
Shield clamp type	SKL	Height	13 mm
For max. no. of cables	1	No. of screw holes	1
Shield diameter	1,5 - 3 mm	Diam. of screw holes	3,2 mm

SKL 3-6



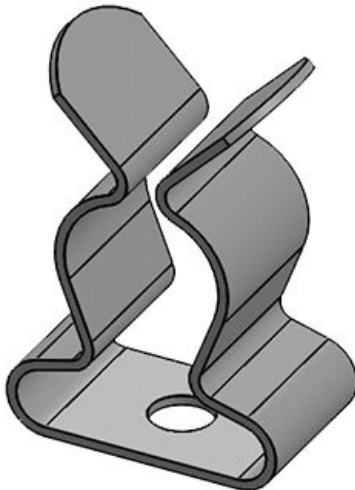
Part No.	36202	Max. shield diam.	6 mm
EAN	4251269302	Min. shield diam.	3 mm
Package quantity	50	Length	8 mm
No. of shield clamps	1	Width	11,8 mm
Shield clamp type	SKL	Height	13,6 mm
For max. no. of cables	1	No. of screw holes	1
Shield diameter	3 - 6 mm	Diam. of screw holes	3,2 mm

SKL 6-8



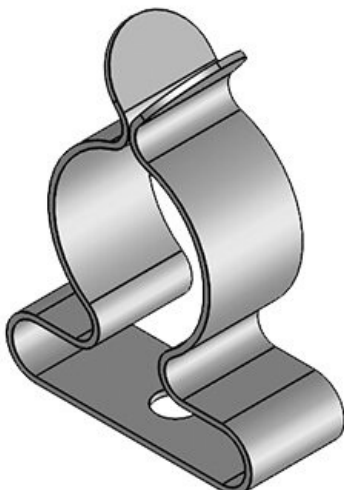
Part No.	36204	Max. shield diam.	8 mm
EAN	4251269302	Min. shield diam.	6 mm
Package quantity	50	Length	8 mm
No. of shield clamps	1	Width	11,8 mm
Shield clamp type	SKL	Height	15 mm
For max. no. of cables	1	No. of screw holes	1
Shield diameter	6 - 8 mm	Diam. of screw holes	3,2 mm

SKL 8-11



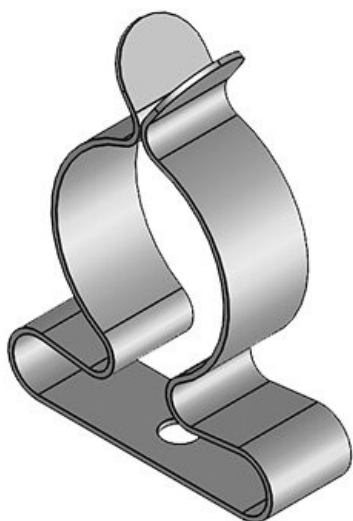
Part No.	36205	Max. shield diam.	11 mm
EAN	4251269302	Min. shield diam.	8 mm
Package quantity	50	Length	8 mm
No. of shield clamps	1	Width	14 mm
Shield clamp type	SKL	Height	20 mm
For max. no. of cables	1	No. of screw holes	1
Shield diameter	8 - 11 mm	Diam. of screw holes	3,2 mm

SKL 11-17



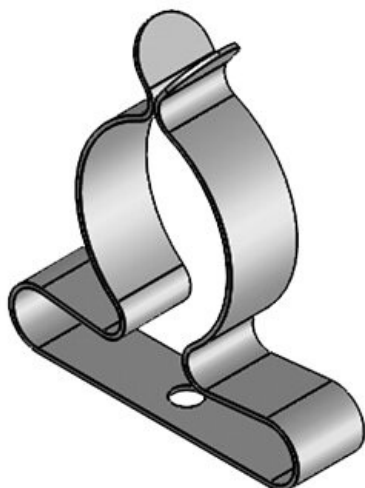
Part No.	36206	Max. shield diam.	17 mm
EAN	4251269302	Min. shield diam.	11 mm
Package quantity	50	Length	8 mm
No. of shield clamps	1	Width	21 mm
Shield clamp type	SKL	Height	27 mm
For max. no. of cables	1	No. of screw holes	1
Shield diameter	11 - 17 mm	Diam. of screw holes	3,2 mm

SKL 17-22



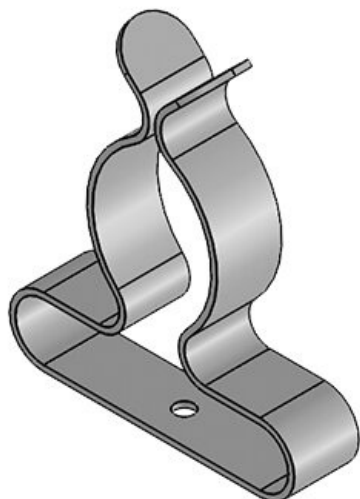
Part No.	36207	Max. shield diam.	22 mm
EAN	4251269302	Min. shield diam.	17 mm
Package quantity	50	Length	8 mm
No. of shield clamps	1	Width	26,5 mm
Shield clamp type	SKL	Height	34,5 mm
For max. no. of cables	1	No. of screw holes	1
Shield diameter	17 - 22 mm	Diam. of screw holes	3,2 mm

SKL 22-30



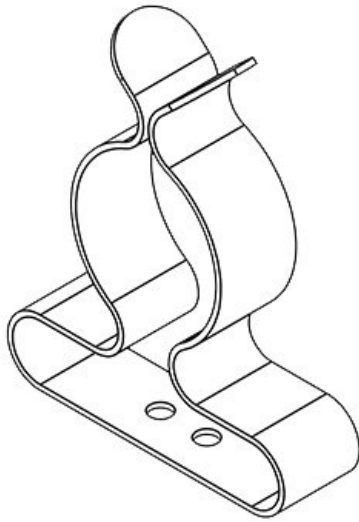
Part No.	36208	Max. shield diam.	30 mm
EAN	4251269302	Min. shield diam.	22 mm
Package quantity	50	Length	8 mm
No. of shield clamps	1	Width	35 mm
Shield clamp type	SKL	Height	39,2 mm
For max. no. of cables	1	No. of screw holes	1
Shield diameter	22 - 30 mm	Diam. of screw holes	3,2 mm

SKL 30-38



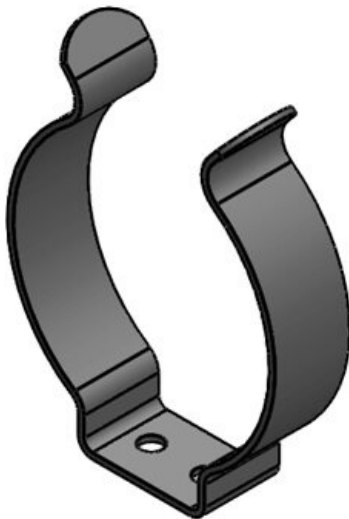
Part No.	36209	Max. shield diam.	38 mm
EAN	4251269302	Min. shield diam.	30 mm
Package quantity	5	Length	13 mm
No. of shield clamps	1	Width	46,5 mm
Shield clamp type	SKL	Height	62,5 mm
For max. no. of cables	1	No. of screw holes	1
Shield diameter	30 - 38 mm	Diam. of screw holes	5,2 mm

SKL 38-48



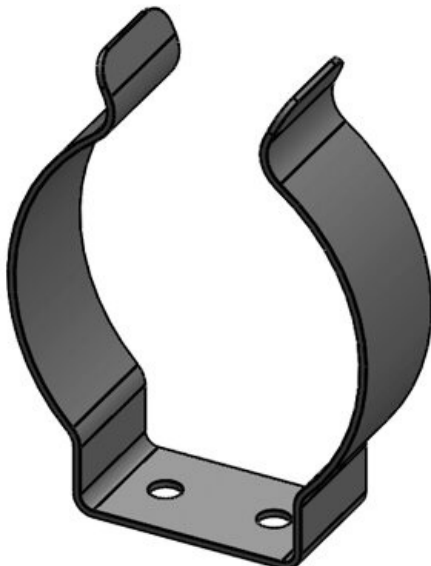
Part No.	36213	Max. shield diam.	48 mm
EAN	4251269302	Min. shield diam.	38 mm
Package quantity	5	Length	13 mm
No. of shield clamps	1	Width	48,5 mm
Shield clamp type	SKL	Height	71,5 mm
For max. no. of cables	1	No. of screw holes	2
Shield diameter	38 - 48 mm	Diam. of screw holes	5,2 mm

SKL 44-56



Part No.	36216	Max. shield diam.	56 mm
EAN	4251269322	Min. shield diam.	44 mm
Package quantity	5	Length	13 mm
No. of shield clamps	1	Width	47 mm
Shield clamp type	SKL	Height	60,5 mm
For max. no. of cables	1	No. of screw holes	2
Shield diameter	44 - 56 mm	Diam. of screw holes	3,7 mm

SKL 56-68



Part No.	36217	Max. shield diam.	68 mm
EAN	4251269322	Min. shield diam.	56 mm
Package quantity	5	Length	19 mm
No. of shield clamps	1	Width	55 mm
Shield clamp type	SKL	Height	72,5 mm
For max. no. of cables	1	No. of screw holes	2
Shield diameter	56 - 68 mm	Diam. of screw holes	4,8 mm



Part No.	36218	Max. shield	75 mm
EAN	4251269322	diam.	
	778	Min. shield	68 mm
Package	5	diam.	
quantity		Length	19 mm
No. of shield	1	Width	69,5 mm
clamps		Height	91 mm
Shield clamp	SKL	No. of screw	2
type		holes	
For max. no. of	1	Diam. of screw	4,9 mm
cables		holes	
Shield	68 - 75 mm		
diameter			